

Round and square bale wrappers

**RW-SW
SERIES**



www.kuhn.com



be strong, be **KUHN**



RW-SW

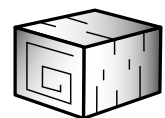
BALES WRAPPED TO PERFECTION!

Every step in the wrapping process has to be coordinated, taking in account crop conditions, field conditions and weather forecasts as well as crop handling and storage.

Perfectly wrapped bales combined with a high output and outstanding durability guarantee KUHN wrappers to be a profitable investment.

WRAPPER SPECIALIST

KUHN brings cost efficient, ecologic and ergonomic bale wrapping solutions with a complete range of round and square bale wrappers. Our dedicated team, many with a farming background, are masters in their fields. Our many years of practical experience has given us valuable know-how and expertise in producing wrapping equipment.



MODEL	Round bales	Square bales
RW 1110	x	
RW 1200	x	
RW 1410	x	
RW 1610	x	
RW 1810	x	
SW 1114	x	x
SW 1614	x	x
SW 4014	x	x

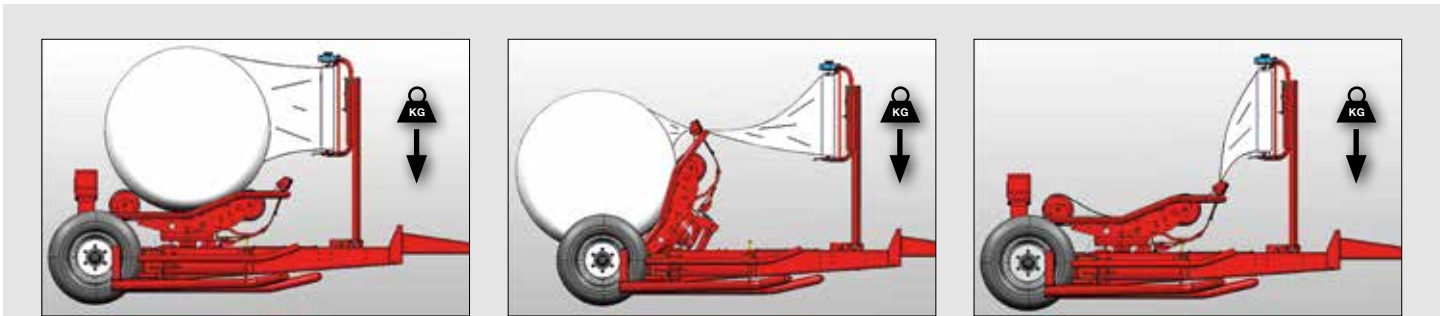
WRAPPING

FAST AND RELIABLE WRAPPING

KUHN bale wrappers' unique features make them stand out from the crowd. The pre-stretchers, film cutters, wrapping table and low-profile chassis design make KUHN bale wrappers simple, easy-to-use, fast and efficient.

ROUND TURNTABLE

The KUHN round bale turntable wrappers are equipped with two rollers and four wide-spaced belts. This design provides a deep and stable cradle for the bale on the wrapping turntable. The two large bale support rollers provide more stability and guidance. The four wide-spaced belts provide maximum traction and even rotation for the bale. Even bale rotation is vital to ensure the optimal film overlap for conservation and crop quality during storage.

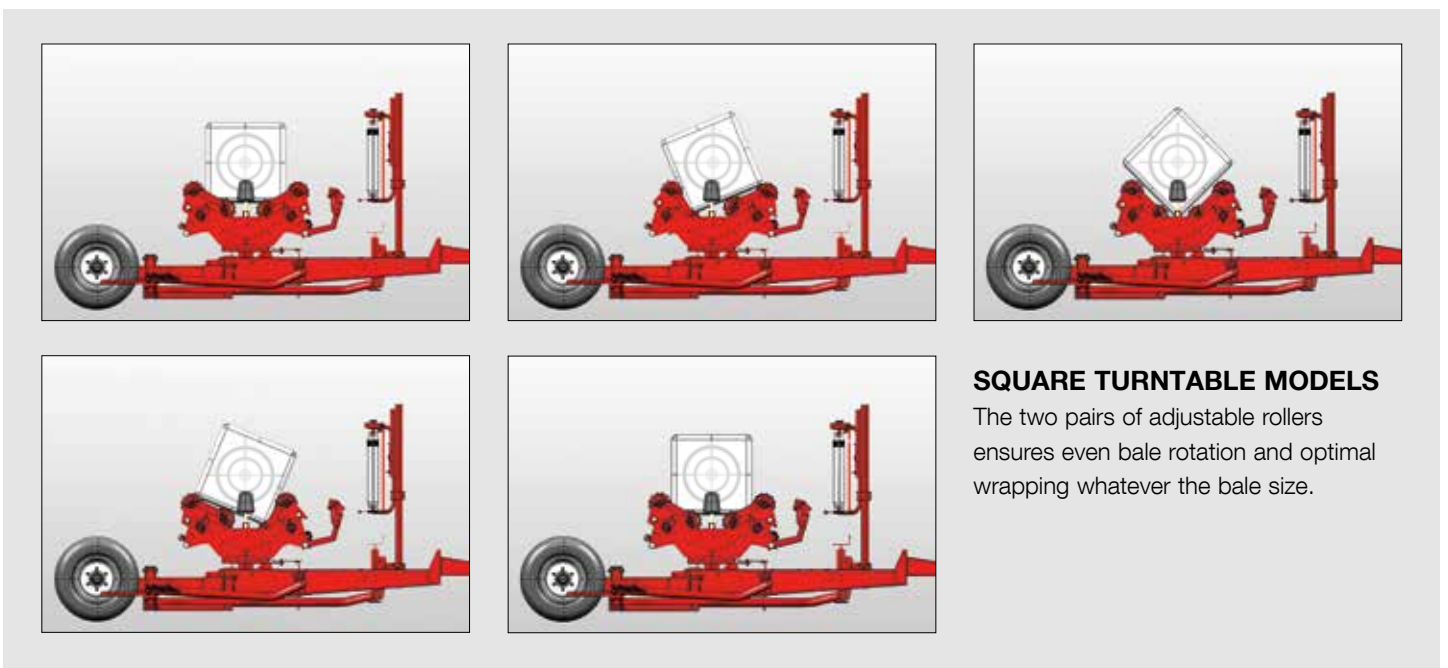


LOW-PROFILE CHASSIS DESIGN

The KUHN trailed turntable wrappers have a unique low-profile design ideal for stability when loading, wrapping or unloading a bale. The rear axle position results in a low table height eliminating the need for an (active) fall damper. There is constant weight transfer to the tractor, that prevents up-and-down movements of the drawbar and prevents tractor wheel slippage when driving uphill with a bale on the table or loading arm. The bale can be dropped on the go for maximum output!

SQUARE TURNTABLE

The KUHN medium square bale turntable wrappers are equipped with two pairs of steel rollers with a ribbed profile. This profile ensures maximum bale traction, even bale rotation and proper film overlap. Two large bale support rollers provide additional stability and guidance. Round bales can also be wrapped with these wrappers.



SQUARE TURNTABLE MODELS

The two pairs of adjustable rollers ensures even bale rotation and optimal wrapping whatever the bale size.



FILM CUTTERS

Once the desired number of film layers have been applied, the film is then held firmly and cut. On the turntable wrapper models, a spring-loaded or hydraulic high grip film cutter holds and cuts the film automatically without the need for extra controls. On KUH N satellite wrappers, the well-known “scissor-type” cutters hold and cut the film. Due to its design, the film is caught across the full width. The film is held with a clamp, stretched into one solid string, and then cut before the bale is unloaded. The clamp firmly holds the film ready for the next bale.



PRE-STRETCHERS

The standard pre-stretchers which hold a 750 mm roll, are made of aluminum to avoid build-up of tack from the film. Both outer ends of the aluminium rollers are cone-shaped to maintain the optimum width of the film and reduce the risk of film tear. The special ribbed profile of the aluminum rollers keeps air and water away from the film. The location of the pre-stretchers makes it very easy to change the film rolls. The standard pre-stretch of 70% is reached by a low-maintenance and low noise gear transmission.

DRAWBAR (AVAILABLE FOR RW 1410 - 1610 - 1810 & SW 1614)

The long drawbar and optional cat. 2/3 swivel headstock aid manoeuvrability. The wrapper is being attached further behind the tractor, giving it more turning radius in the field and comfort during transport. In addition, the drawbar also provides extra storage capacity for the film rolls* and has a hose guidance for a secured and neatly routed hoses. The optional cat. 2/3 swivel headstock enables easy coupling with several tractors without having to change the hitches.

* Except RW 1810.



CONTROL SYSTEMS

Different control systems are available dependent on model, and driver preferences:

	RW 1110	RW 1200	RW 1410	RW 1610	RW 1810	SW 1114	SW 1614	SW 4014
Cable controlled valve bank (M)	•	•	•	•		•	•	
Computer controlled (C)	•	•	•	•	•	•	•	
RF remote control kit	• (1110 C only)		◦ (1410 C only)	◦ (1610 C only)		• (1114 C only)	◦ (1614 C only)	
CCI 50 - ISOBUS COMPATIBLE								•
CCI 1200 - ISOBUS COMPATIBLE								•

• = as standard ◦ = optional



e-TWIN TECHNOLOGY

The innovative KUHN *e-TWIN* technology enables wrapping via an unique combined pre-stretcher design with unique film distribution to save 50% on wrapping time and further film savings. The conical pre-stretch rollers have been positioned in such a way that the two 750 mm film wraps with 2/3 overlap are glued together providing a double layer before they leave the pre-stretcher unit. Optional on selected wrappers is the auto filmlayer correct kit. The correct kit detects an empty / teared film roll and adjusts the required amount of table rotations to cover the bale with the required amount of layers.

UNIQUE ADVANTAGES OF *e-TWIN*:

- Save 50% wrapping time.
- Further film saving achieved by increased pre stretch ratio.
- Tighter wrapped bales increases the airtightness and so quality of feed.
- Extreme tear resistance under all circumstances.
- Available on manual, joystick and computer version.

KUHN *e-TWIN*, THE NEXT STEP IN TOP QUALITY COST EFFICIENT, ECOLOGIC AND ERGONOMIC BALE WRAPPING.



e-TWIN calculator

CURIOUS HOW KUHN *e-TWIN* TECHNOLOGY MAKES YOUR WRAPPING BUSINESS MORE PRODUCTIVE AND COST EFFICIENT?

Check out our *e-TWIN* calculator via www.kuhn.com/etwin to calculate your yearly savings by investing in KUHN *e-TWIN* technology.

RW

1110

1200

1410

1610

1810

ROUND BALE WRAPPERS



TYPE	Round bales W x D (cm)
RW 1110	120 x 100 – 150
RW 1200	120 x 100 – 150
RW 1410	120 x 100 – 150
RW 1610	120 x 100 – 150
RW 1810	120 x 100 – 160

RW 1110

3-POINT MOUNTED, ROUND BALE WRAPPER



The RW 1110 is ideal for "wrap and stack" operations in the field or in the yard. Wrapping at the storage place means a minimum risk of film damage. A well-suited combination for a one-man wrapping operation.

The RW 1110 is capable of wrapping heavy bales up to 1200 kg due to its strong large main frame, standard for all static wrappers. The low mounted 4 belt turntable ensures a gentle bale discharge so there is no need for an active fall damper. The low mounted height also allows easy replacement of the film rolls. For a firm cut and hold of the film, even in wet conditions, the wrapper is provided with a spring-loaded high grip film cutter.

Optional on the RW 1110 are extra wide support legs for increased stability during free standing operation. Furthermore an optional 4 roll film magazine is available.



e-TWIN TECHNOLOGY

The RW 1110 can be equipped with the innovative, unique e-TWIN pre-stretcher. With e-TWIN technology, the wrapping time is reduced with 50% compared to a single pre-stretch wrapper and therefore no downtime in the wrap and stack process.



TWO MODELS AVAILABLE: MANUAL CONTROL (M VERSION) OR COMPUTER CONTROL WITH STANDARD RF REMOTE CONTROL (C VERSION)

The RW 1110 M version is controlled with 2 cable levers as well as bale-and-wrap counter and autostop. The bale-and-wrap counter helps the operator by counting film layers and total number of wrapped bales. The autostop function will automatically stop the wrapping table after the total number of film layers are applied. This turns a manually controlled wrapper into a semi-automatically controlled wrapper.

The RW 1110 C version is equipped with a computer system. This easy-to-use automatically controlled computer system, with integrated joystick, uses an operator friendly user interface in line with the AT 10 controlled balers. The wrapper can be operated from a loader with the standard RF remote control with "high distance safety", while using a power pack or second tractor for the oil- and power supply.

RW 1200

3-POINT MOUNTED, SELF-LOADING ROUND BALE WRAPPER



The RW 1200 self-loading round bale wrapper is capable of loading, transporting and wrapping the bale on the go.

The 3-point mounted design positions the weight close to the tractor, which contributes to the stability and weight distribution during wrapping/transport.

The RW 1200 has a hydraulic “scissors-type” film cutter that cuts and holds the film firmly in its position, ready for the next bale to come. Changing the film roll is easily done while standing safely on the ground.

ADDITIONAL FEATURES

The RW 1200 can be equipped with an optional satellite counterweight, a ground support roller for smaller tractors, extra bale support roller (recommended in hilly circumstances), and a bale turner to discharge a bale on its flat end.



TWO MODELS AVAILABLE: MANUAL CONTROL (M) AND COMPUTER CONTROL (C)

Only two levers control the manual version (M) of the RW 1200, which is equipped as standard with a bale and wrap counter and auto satellite stop. This turns a manually controlled wrapper into a semi-automatically controlled wrapper. The fully automatic computer model (C) is standard equipped with a slow start wrapping speed function to prevent film breakage during startup.





TRAILED, SELF-LOADING ROUND BALE WRAPPER

The mid-range RW 1410 is the most versatile self-loading round bale wrapper. The manual version (M) is controlled with 3 cable levers including bale and wrap counter and auto stop. The computer controlled version (C) uses a terminal with integrated joystick that provides all the information and possibilities for automatic operation of the entire wrapping process. Standard feature is automatic stop at the end of film/film tear.

The RW 1410 will lift bales up to 150 cm in diameter and 1000 kg, due to its unique low-profile chassis design with wide track wheels. The design of the RW 1410 has a wrapping table with 4 belts, stronger frame and high grip film cutter for optimal results.

Options available for the RW 1410 model are a bale turner, allowing the bale to be discharged on to its flat end, RF remote control, and a film roll holder for 4 rolls. The RW 1410 can be equipped with the innovative, unique e-TWIN pre-stretcher.



The right hand wheel can be folded inwards for road transport. Left hand side optional

Limited transport width due to adjustable wheel positions





TRAILED SELF-LOADING ROUND BALE WRAPPER

The professional RW 1610 round bale wrapper is ideal for those wrapping operations where high capacity and high efficiency are required. Due to its low strong design with low table height and standard large wheels located at the rear, there is no need for an active fall damper. This saves extra process steps and the bale can be unloaded on the go. Constant weight transfer towards the tractor avoids slippage in hilly circumstances. The RW 1610 is equipped as standard with a high grip film cutter and film roll holder for 2 rolls. The RW 1610 can be operated via the 3 levers cable control (M) or computer control box (C).

The RW 1610 is capable of loading the heaviest bales (up to 1200 kg) thanks to a rugged designed main frame, 4 belt wrapping table and hydraulically adjustable loading arm. The hydraulically adjustable loading arm provides numerous advantages. You can simply adjust the width of the loading arm directly from the tractor cab in a matter of seconds. No need for you to use extra tools or having to get out of your tractor seat. This is very convenient when wrapping different diameter bales in different fields. But also when you need to change the opening width in case of saggy / poorly shaped bales or driving into bales, if not perfectly aligned.

The KUHN RW 1610 can load and carry a second bale in the loading arm during wrapping. The C model, with integrated "AUTOLOAD function", has increased overall loading, wrapping capacity and efficiency. The patented* "AUTOLOAD function" enables the operator to fully concentrate on the driving process, while the wrapping process is automatically started once the bale has been detected on the loading arm. Picking up a second bale with the loading arm, during the wrapping process for transport, is fully automated.

The KUHN RW 1610 C is controlled by the VT 30 control box and gives full command of your wrapping process. The VT 30, with 3,5" colour touch screen, has a highly user friendly interface with intuitive software. Application of electronics with PROCESS VIEW software provides you with updated information about the stage of wrapping on the terminal. It informs you of the status of the ongoing and upcoming wrapping processes and allows you to pause and restart a process at any time.

* Patent or patent pending in one or more countries.



VT 30 control box



The bale turner, RF remote control, and filmroll holder for 4 additional rolls are optional on the RW 1610. Similar to the RW 1410, the RW 1610 can be equipped with the innovative, unique e-TWIN pre-stretcher



TRAILED SELF-LOADING HIGH SPEED SATELLITE WRAPPER

Does wrapping 100 bales per hour with 6 layers of film seem impossible? Not with the KUHN RW 1810 bale wrapper. With a 30% faster cycle time you can keep up with the fastest balers around.

The RW 1810 high capacity inline bale wrapper is equipped with the latest technologies. The patented* loading system, with its loading arm integrated in the wrapping table, allows the bale to gently roll onto the wrapping table without extra process steps. The turntable then tilts to its level position in order to start the wrapping process rapidly. The low-chassis design ensures gentle unloading of the bale and extra stability during wrapping in hilly circumstances. This design of the wrapper is suited to operate either behind a tractor or directly behind a baler. The RW 1810 loads and unloads in line with the balers driving direction.

An extended range of features and options makes the RW 1810 one of the most advanced and flexible satellite bale wrappers on the market. The RW 1810 will lift bales of up to 160 cm in diameter and 1400 kg, due to its unique design. It doesn't need a powerful tractor, additional counter-weights, or a (active) fall damper. The twin support tower guarantees accurate tracking and stability of the satellites around the bale in various field conditions.

* Patent or patent pending in one or more countries.



AUTOLOAD laser



Quick and gentle loading of the bale guaranteed with the long loading arm



A large side cover protecting the hydraulic unit provides easy accessibility for maintenance of the machine



Highly visible lights and reflectors for optimal safety and security



The long drawbar makes it easy to tow the wrapper sideways with wide / larger tractors



Large mudguards will prevent the film being damaged during transport

EXCEPTIONAL DRIVER COMFORT

100% fully automatic loading, wrapping and unloading without having to press a button! The RW 1810 AUTOLOAD function uses a laser to detect the approaching round bale, automatically scans the diameter of the bale and sets the loading arms into pre-load position. This provides high accurate loading, wrapping and unloading of the bale on the go.

With AUTOLOAD you can concentrate fully on driving, for a more ergonomic and stress-free working environment during a long working day. It increases the overall capacity and efficiency of your wrapping operation.

Easy switching from transport to field mode with AUTOSWITCH. The machine folds and unfolds at the touch of a button! Comfortable and quick transformation, ideal when having to work across several fields.



FULL WRAPPING FLEXIBILITY

INTELLIWRAP allows greater management of your wrapping process. Continuously control the film overlap and required amount of wrapping layers (4, 5, 6, 7, 8, 9...) to match your local circumstances, crop conditions, and storage periods. An excellent distribution of the film around the bale and precise overlap of the film provides maximum efficiency and increased silage quality.

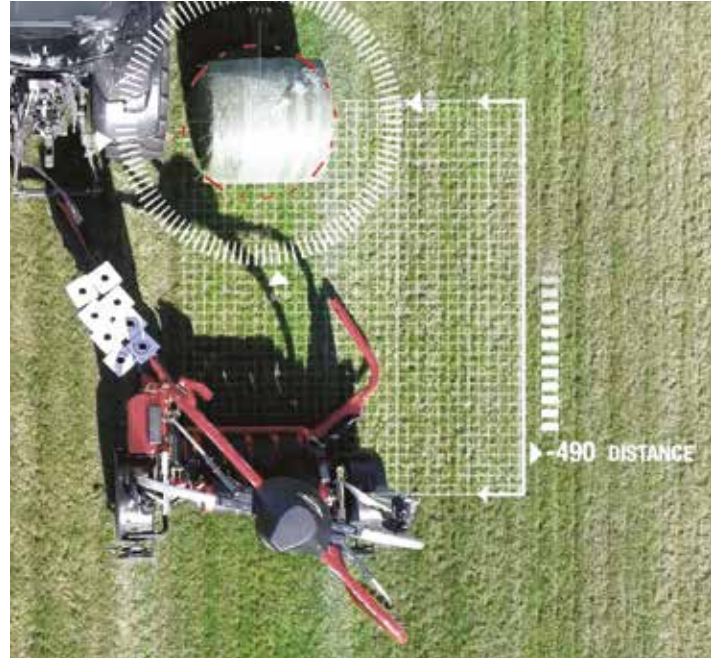


YOU ARE IN CONTROL

The KUHN RW 1810 is controlled by the VT 30 control box and gives full command of your wrapping process. The VT 30, with 3,5" colour touch screen, has a highly user friendly interface with intuitive software.

Process view

Application of electronics with PROCESS VIEW software provides you with updated information about the stage of wrapping on the terminal. It informs you of the status of the ongoing and upcoming wrapping processes and allows you to pause and restart a process at any time.



AUTOLOAD



AUTOSWITCH

ON TOP OF THAT...

Use of 3D wrapping distributes the total film quantity more uniformly and efficiently across the entire surface of the bale. By wrapping the cylindrical surface of the bale first, more air is excluded and the bale shape maintained, even after long storage periods. The vulnerable corners of the bale are more protected compared to conventionally wrapped bales. The film is wrapped very tightly around the bale giving less chance of film damage during transport and storage.

The full option RW 1810 comes as standard with an auto stop by end of film/film tear and ½ speed by film end/film break.



VT 30 control box

SW

1114

1614

4014

SQUARE AND ROUND BALE WRAPPERS



TYPE	Round bales W x D (cm)	Square bales W x H x L (cm)
SW 1114	120 – 150 x 100 – 150	80 x 60 – 90 x 180
SW 1614	120 – 150 x 100 – 150	80 x 60 – 90 x 180
SW 4014	120 – 150 x 90 - 140	80 x 50 – 100 x 200 / 120 x 60 – 130 x 200

3-POINT MOUNTED MEDIUM SQUARE AND ROUND BALE WRAPPER



The SW 1114 is a 3-point mounted bale wrapper that can wrap medium square bales and round bales up to 1200 kg. The large strong main frame has two pairs of steel rollers that provide a deep cradle for the bale and even rotation to ensure proper film overlap. The bale can be gently discharged because of the low mounted turntable.

In addition, the SW 1114 can be equipped with extra wide support legs for increased stability during free standing operation. One of the other options is a film roll magazine for 4 film rolls.

A hydraulic high grip film cutter allows you to adjust the cutting moment independent of the table tipping position, resulting in the shortest possible end-string. It has a long stroke to help accommodate various bale lengths and ensures a firm hold and a clean cut of the film in various weather conditions.



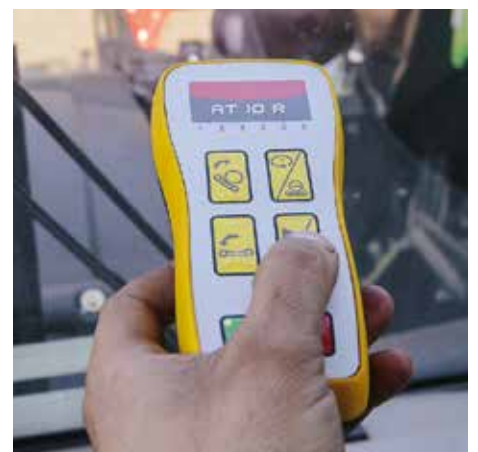
3-POINT MOUNTED MEDIUM SQUARE AND ROUND BALE WRAPPER

The SW 1114 Manual version (M) is controlled in the tractor cab with two cable levers. These levers can also be mounted onto the wrapper near the pre stretcher. The manual version is fitted with a bale and wrap counter and autostop. This turns a manually controlled wrapper into a semi-automatically controlled wrapper.

The SW 1114 Computer version (C) with standard RF remote control can be operated from a loader while using a power pack or second tractor for the oil- and power supply. This creates a one man operation for loading, wrapping and stacking. Wrapping at the storage place means a minimum risk of film damage. The C version is standard fitted with automatic stop at the end of film/film tear, integrated bale and wrap counter, play/pause function and 90° loading position.

The low table height allows the bale to be gently tipped off to prevent film damage

With standard RF remote control with "high distance safety", the wrapper can be operated from the loader while using a power pack (hydro unit) or second tractor for the oil and power supply towards the wrapper



TRAILED SELF-LOADING ROUND AND MEDIUM SQUARE BALE WRAPPER

The SW 1614 is a hybrid bale wrapper that can wrap medium square bales 80 cm x 60-90 cm up to 180 cm in length, and round bales up to 150 cm in diameter. The two pairs of adjustable steel rollers provide a deep cradle for the bale and even rotation to ensure proper film overlap. The hydraulic high grip film cutter has a long stroke to help accommodate various bale lengths. It also ensures a firm hold and a clean cut of the film in various weather conditions. The automatic parallel loading arm, with standard round bale kit, ensures gentle, on-the-move bale loading in all weather conditions. Due to its unique low-profile chassis design with wide track wheels a second bale can be carried during wrapping to increase overall efficiency.



The SW 1614 can be equipped with two different control systems. The manual version (M) is controlled with cable levers and equipped as standard with bale-and-wrap counter and autostop. This turns a manually controlled wrapper into a semi-automatically controlled wrapper.



The SW 1614 Computer controlled version (C) with integrated patented* "AUTOLOAD function" has increased overall efficiency and loading and wrapping capacity. The automatically controlled computer system with integrated joystick is standard equipped with automatic stop at the end of film/film tear, and play/pause function. The RF remote control with high distance safety control is optional. Available options are a film roll magazine for 4 rolls of stretch film, hydraulic wheel turning kit and an additional counter weight in order to lift up to 1.000 kg round bales.

* Patent or patent pending in one or more countries.



Integrated AUTOLOAD function SW 1614 C



The low table height allows the bale to be gently tipped off to prevent film damage



For road transport the wheels can be folded inwards to reduce the transport width. Hydraulic folding is optional



TRUE WRAPPING INTELLIGENCE

KUHN introduces a true innovation in bale wrapping with the SW 4014. This versatile self-loading square- and round bale wrapper features a unique patented* AUTOLOAD function for nonstop fully automatic wrapping.

NON-STOP WRAPPING WITH AUTOLOAD*

The innovative AUTOLOAD function provides non-stop fully automatic loading, wrapping and unloading of square- and round bales without interference from the driver. AUTOLOAD detects approaching bales, automatically scans the length of the bale and sets the loading arms into pre-load position, resulting in accurate loading, wrapping and unloading of the bale on the go. This leads to increased overall capacity and creates a more ergonomic and stressless working environment during a long working day.

- * AUTOLOAD parameters:
- 1) Square bale length must be between 0,75 and 2 m.
 - 2) Driving speed must be constant and between 0,5 and max. 4 km/h during scanning and loading.



OPTIMAL VERSATILITY

The SW 4014 is capable of wrapping large square, medium square and round bales up to 1500 kg. Wrapping of round bales is possible without any optional equipment or mechanical adjustments. All predefined bale dimensions can easily be selected via the terminal.

EXCEPTIONAL BALE HANDLING

The smart design of the SW 4014 guarantees easy (un)loading of the bales, front and backwards, even when dropped in hard-to-reach locations. All bales are being (un)loaded without the risk of damaging or soil contamination because of the 2 patented* pair of steel rollers.

* Patent or patent pending in one or more countries



Alongside the innovative AUTOLOAD function, more additional features are provided which makes this versatile self-loading wrapper like no other bale wrapper in the market.

OUTSTANDING STABILITY

Thanks to its solid design, with an incorporated hydraulic sliding frame, an extreme wide track is achieved for outstanding stability of the machine. This unique “drive through” operation enables easy loading of the bale and excellent visibility of the wrapping process. The SW 4014 has an operational width of 4 m in the field but only 2.5 m during transport.

To prevent film damage during transport, the SW 4014 is fitted with large mud guards. 19,0/45x17 wide wheels are optional.



The wrapper folds from its 2,5 m transport position into 4 m wide field position

HOW DOES IT WORK?

AUTOLOAD function is based on Category II Laser technology. First the laser sensor, situated inside the top cover at the front side of the machine, is scanning the area ahead of the bale wrapper. In addition, a wheel sensor is placed on the left wheel which measures the speed and distance towards the bale.



1

Laser sensor is measuring ground level

2

Laser sensor has detected the bale

3

Laser sensor has detected the edge of the bale. Bale length measurement is starting by counting pulses on wheel sensor. Loading arms move to pre-load position (based on pre-defined bale width)

4

Laser sensor has detected the end of the bale. The bale length is known

5

Depending on the driving speed, the loading arms are activated at the right time to load the bale in the center of the rollers

6

While wrapping, it is possible to drive to the next bale

In the case that bales are dropped in ditches, under fences or even in corners of the field, the SW 4014 AUTOLOAD still allows you to load bales manually, forwards and backwards.

INTELLIWRAP

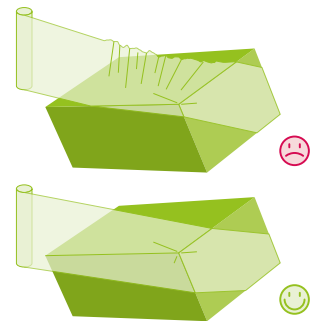


EXCELLENT WRAPPING

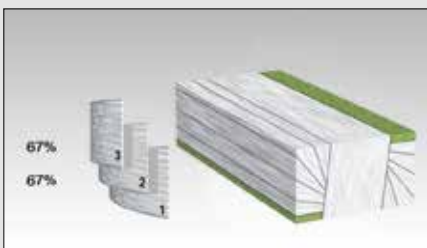
The positioning of the patented* shorter top rollers allow the film roll holders to be positioned as low as possible. As a result, the film is wrapped closer to the centre of the bale with less wrinkling, ensuring an optimum oxygen barrier for excellent silage quality.

Greater management and control of the wrapping process can be achieved by our unique INTELLIWRAP system. INTELLIWRAP uses sophisticated electronics and hydraulics to monitor the wrapping process and continuously controls the film overlap, allowing total flexibility. Depending on local circumstances, crop conditions and storage periods, the amount of film layers (4, 5, 6, 7, 8, 9...) can simply be adjusted. An excellent distribution of the film around the bale and precise overlap of the film provides maximum efficiency and increased silage quality.

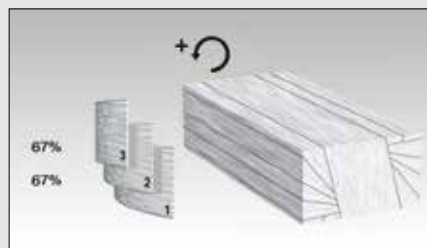
* Patent or patent pending in one or more countries.



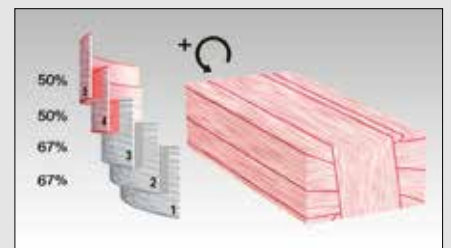
5 LAYER FILM SELECTION



The bale is covered with 3 layers at 67% overlap



The bale rotation speed is increased



Final 2 layers at 50% overlap

FUEL SAVINGS

The SW 4014 can be operated with a broad range of tractors because of a limited oil flow requirement (40 liters/min. maximum of 60 liters/min.). As an option, the wrapper can be equipped with a PTO driven oil supply for optimal wrapping capacity. The tractor can run at lower engine rpm for significant fuel savings. Further fuel savings can be achieved by running on 540E / 750 rpm PTO speed. In addition, the PTO driven oil supply is a closed system and there is no risk of oil contamination from different tractors and less chance of dirt in the system.



MAINTENANCE AND ACCESSIBILITY

The large side doors of the SW 4014 provide excellent accessibility for maintenance. Furthermore you can open the top cover and side doors without the need of tools. The SW 4014 can be equipped with an optional LED work light to have a better view on the wrapping process in the dark.



ALWAYS IN CONTROL

The SW 4014 is ISOBUS compatible. ISOBUS compatible tractors will therefore not require a separate control box for the wrapper. Alternatively, the CCI 50 or CCI 1200 monitor can be used with tractors that are not ISOBUS compatible. Operator settings, such as selecting pre-defined bale dimensions and switching from transport into field mode, are accessed via the monitor. Information, such as wrapping process overview and number of bales, is also provided.



CCI 50

The CCI 50 is a full ISOBUS terminal with a 5.6" inch colour screen. It can be controlled using the touch screen and/or the soft keys. A selection of CCI Apps can be used on the CCI 50 to utilise your terminal all year round.



CCI 1200

The CCI 1200 is our state of the art ISOBUS terminal. The 8.3" colour touchscreen has a programmable view. It offers wide compatibility with CCI Apps and can be your portal to precision farming. The CCI 1200 comes in a storage box for it to be stowed away securely when not in use.

WORKING CONVENIENCE

To provide optimal working convenience, the SW 4014 has a smart feature that enables you to choose (automatic) unloading of bales in a selected position. You can choose to unload the bale with the knots on top for easier loosening of the twine and also quicker access to your feed after unwrapping the bale. Or if required, you can unload on the short side for easy transport.

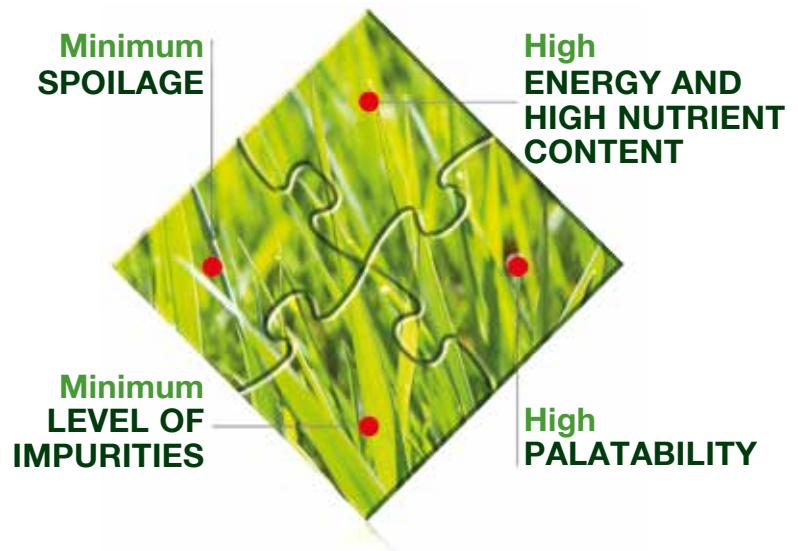
SIMPLY GREAT FORAGE!



Did you know that you can save concentrates worth 89 €/ha a year, just by reducing the impurities in the forage from 4 to 2 %*? We are here to help you produce top quality forage.

We would like to pass on several decades knowledge of forage production. We can provide advice for you to produce first-class animal feed and help you to understand the advantages of our machines in order for you to use them in an optimal way to preserve the quality of your forage.

With KUHN expertise, you will harvest forage with...



*Source: Agricultural chamber Weser-Ems, Germany.

Find all our expertise on forage. KUHN.com/en



be strong, be **KUHN**

KUHN PARTS

DESIGNED AND MANUFACTURED TO TIME



KUHN foundries and forge as well as a high-level manufacturing process allow the production of spare parts to defy time. You can truly rely on our know-how and our genuine parts. Farmers benefit from our client support and logistics services via any KUHN PARTS warehouse, which provide quick and reliable repair solutions in cooperation with your nearest authorized KUHN dealer.



SPECIFICATIONS								
	RW 1110	RW 1200*	RW 1410	RW 1610	RW 1810*	SW 1114	SW 1614	SW 4014
Weight and dimensions								
Total length	2.90 m / (9' 5")	2.27 m / (7' 6")	4.55 m / (14' 9")	4.20 m / (13' 9")	4.47 m / (14' 8")	2.47 m / (8' 1")	4.86 m / (16')	4.70 m / (15'5")
Transport width	1.78 m / (5' 10")	1.32 m / (4' 4")	2.45 m / (8' 1")***	2.69 m / (8' 10")	2.55 m / (8' 5")	2.29 m / (7' 6")	2.49 m / (8' 2")***	2.50 m / (8'2")
Weight	900 kg (1985 lbs)	700 kg (1550 lbs)	1000 kg (2200 lbs)	1490 kg (3285 lbs)	1100 kg (2425 lbs)	1020 kg (2240 lbs)	1530 kg (3370 lbs)	2820 kg (6215 lbs)
Height in transport	2.60 m / (8' 5")	2.43 m / (8')	2.28 m / (7' 6")	2.58 m / (8' 6")	3.06 m / (10")	2.03 m / (6' 8")	2.29 m / (7' 6")	2.75 m / (9')
Wheel dimensions (standard)	-	-	10.0 / 80-12"	15.0 / 55-17"	11.5 / 80-15.3"	-	15 / (55-17")	15.0 / (55-17")
Wheel dimensions (optional)	-	-	360 / (55-12")	10.5 / 80-18"	400 / 60-15.5"	-	-	19.0 / (45-17")
Bale dimensions								
Max. round bale size (width x diameter) (m)	1.20 x (1.00 x 1.50)	1.20 x (1.00 x 1.50)	1.20 x (1.00 x 1.50)	1.20 x (1.00 x 1.50)	1.20 x (1.00 x 1.60)	(1.20-1.50) x (1.00-1.50)	(1.20-1.50) x (1.00-1.50)	(1.20-1.50) x (0.90-1.40)
US round bale dimensions	up to 4x5 round bales	up to 4x5 round bales	up to 4x5 round bales	up to 4x5 round bales	up to 4x5 round bales	up to 5x5 round bales	up to 5x5 round bales	up to 5x5 round bales
Max. square bale size (width x height x length) (m)	-	-	-	-	-	0.80 x (0.60-0.90) x 1.80	0.80 x (0.60-0.90) x 1.80	0,80 x (0,50 – 1,00) x 2,00 1,20 x (0,60 – 1,30) x 2,00
US square bale dimensions	-	-	-	-	-	3x3 bale up to 5'11" long	3x3 bale up to 5'11" long	up to 4x4 bale up to 6'6" long
Max bale weight	1200 kg (2650 lbs)	1200 kg (2650 lbs)	1000 kg (2200 lbs)	1100-1200 kg** (2425-2650 lbs)**	1400 kg (3100 lbs)	1200 kg (2650 lbs)	800-1000 kg** (1775-2200 lbs)**	1500 kg (3307 lbs)
Oil consumption (l/min)(gal./min)	26 / 7 at 150 bar	24 / 7 at 150 bar	26 / 7 at 150 bar	26 / 7 at 150 bar	30 / 9 at 150 bar	26 / 7 at 150 bar	26 / 7 at 150 bar	40 to 60 / 11 to 16 at 180 bar
Operation								
Cable controlled valve bank (M) including bale-and-wrap counter & auto. stop when end of cycle	◆	◆	◆	◆	◆	◆	◆	-
Programmable computer controls (C)	◇	◇	◇	◇	◇	◇	◇	◆
Remote control (C)	◆	-	◇	◇	-	◆	◇	-
ISOBUS control	-	-	-	-	-	-	-	◆
High grip film cutter (automatic)	◆	◆	◆	◆	◆	◆	◆	◆
AUTOLOAD	-	-	-	◆ (1610 C only)	◆	-	◆ (1610 C only)	◆
Pre-stretcher								
One pre-stretcher 750 mm (30")	◆	◆	◆	◆	◆	◆	◆	-
Two pre-stretcher 750 mm (30")	◇ (e-TWIN)	-	◇ (e-TWIN)	◇ (e-TWIN)	◇ (double satellite)	-	-	◆ (double satellite)
Adapter for 500 mm (20") film	◇ (not for e-TWIN)	-	◇ (not for e-TWIN)	◇ (not for e-TWIN)	-	-	-	-
Option								
Film roll holder/stock	◇ 4 rolls	-	◇ 4 rolls	◇ 2 rolls ◆ +4 rolls	◇ +2/4/6 rolls	◇ 4 rolls	◇ 4 rolls	◇ 2 rolls ◆ +4 rolls
Auto. stop by end of film/film tear (C model)	◆ / ◆ (e-TWIN)	-	◆ / ◇ (e-TWIN)	◆ / ◇ (e-TWIN)	◇	◆	◆	◇
Rubber drop mat	-	-	◇	◇	◇	-	◇	-
Bale turner	◇	◇	◇	◇	◇	-	-	-
Road lights	-	-	◇	◆	◆	-	◆	◆
½ speed by film end/film break (C)	◆ (Autocorrect)	-	◇ (Autocorrect)	◇ (Autocorrect)	◇	-	-	◆
◆ = standard equipment ◇ = optional equipment - = not available *(This model is currently not available in North America) ** Fitted with extra counter weight *** Wheels folded for transport								

RW-SW

DESIGNED BY KUHN, MADE BY KUHN

Check out KUHN's complete full-liner range in bale equipment



1. Fixed Balers - 2. BalePacks - 3. i-BIO+ - 4. Large Square Balers - 5. + 6. Round and Square Bale Wrappers.

For more information about
your nearest KUHN dealer, visit our website
www.kuhn.com



Visit us on our YouTube channels.



www.kuhn.com

Your KUHN dealer

KUHN S.A.

4 Impasse des Fabriques - BP 50060,
F-67706 Saverne CEDEX - FRANCE

KUHN NORTH AMERICA, INC.

1501 West Seventh Avenue - Brodhead, WI 53520 - USA

KUHN FARM MACHINERY PTY. LTD

313-325 Foleys Road - Deer Park, VIC, 3023 - AUSTRALIA

KUHN FARM MACHINERY (U.K.) LTD

Stafford Park 7 - GB TELFORD/ SHROPS TF3 3BQ

Information given in this document is only for information purposes and is non-contractual. Our machines are in compliance with regulations in force in the country of delivery. In our literature, and for improved illustration of certain details, some safety devices may not be in operating position. When operating these machines, these devices must be in position in accordance with the requirements indicated in the operator's manuals and assembly manuals. Respect the tractor gross vehicle weight rating, its lift capacity and maximum load per axle and tyres. The tractor front axle load must always comply with the regulations of the country of delivery (In Europe, it must reach minimum 20 % of the tractor net weight). We reserve the right to change any designs, specifications or materials listed without further notice. Machines and equipment in this document can be covered by at least one patent and/or registered design. Trademarks cited in this document may be registered in one or several countries.

Also find KUHN on

